



ABSOLUTE Digimatic/Dial Depth Gage

SERIES 547, 7

FEATURES

- ABSOLUTE Digimatic Depth Gage can keep track of the origin point, once set, for the life of the battery. (Series 547)
- Wide probing range is available with the supplied extension rod.
- Bottom surface of the base is hardened, ground and lapped for highest degree of flatness.
- Designed with a back-plunger type dial indicator for upward facing readings. (**7231, 7237, 7238**)
- With SPC data output. (Series 547)

Technical Data

Accuracy: Refer to the list of specifications
 Resolution*: .0005"/0.01mm or 0.001mm, 0.01mm, .00005"/0.001mm
 Dial reading**: .001" or 0.01mm
 Flatness of base face: 5µm
 Contact point: Carbide-tipped ball point or needle point (**7210, 7222**)
 Measuring force: 1.4N, 1.5N (digital model), 2.5N (**7213, 7214, 7217S, 7218S**)
 Display*: LCD
 Battery*: SR44 (1 pc.), **938882**
 Battery life*: Approx. 3.5 years under normal use
 *Digital models **Dial models

Technical Data of Dial Mode

Accuracy: Refer to the list of specifications
 Dial reading: .001" or 0.01mm
 Flatness of base face: 5µm or 2µm
 Contact point: Carbide-tipped ball point (needle point: **7210, 7222**)
 Measuring force: 1.4N (2.5N: **7213, 7214, 7217S, 7218S**)

Function of Digimatic Model

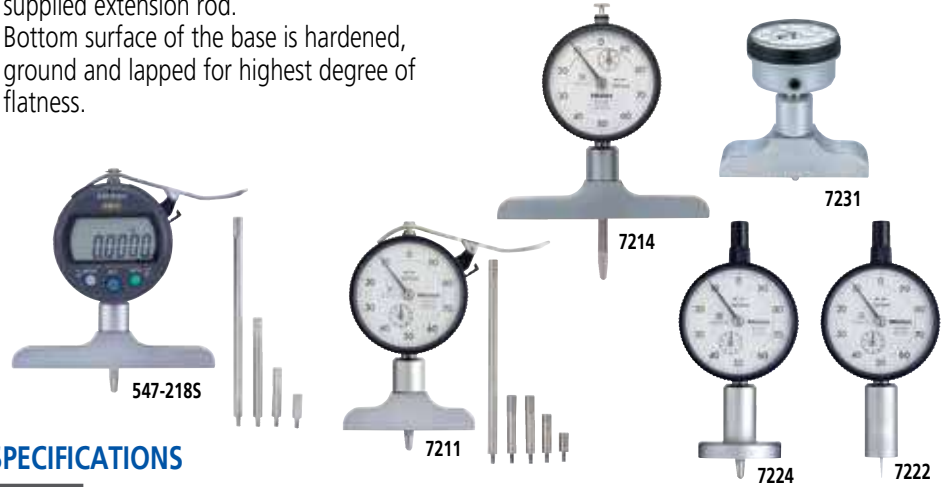
Origin-set, Zero-setting, Data hold, Data output, inch/mm conversion (on inch/metric models only)
 Alarm: Low voltage, Counting value composition error

Optional Accessories

- 905338**: SPC cable (40" / 1m)
- 905409**: SPC cable (80" / 2m)
- 139167**: .5" Extension Rod
- 301655**: 1" Extension Rod
- 301657**: 2" Extension Rod
- 301659**: 4" Extension Rod
- 303611**: 10mm Extension Rod
- 303612**: 20mm Extension Rod
- 303613**: 30mm Extension Rod
- 303614**: 100mm Extension Rod

Base Only (3/8" dia. hole)

Part No.	length	remark
902164 :	2.5"	7217S, 7237, 547-217S, 547-257S
902165 :	4"	7218S, 7238, 547-218S, 547-258S



SPECIFICATIONS

Metric Digimatic model

Range	Order No.	Resolution	Stroke	Accuracy	Extension rod	Base (WxT)	Flatness
0 - 200mm	547-211	0.01mm	12mm	±0.02mm	5 pcs. (10, 20, 30, 30, 100mm)	63.5x16mm	5µm
0 - 200mm	547-212	0.01mm	12mm	±0.02mm	5 pcs. (10, 20, 30, 30, 100mm)	101.6x16mm	5µm
0 - 200mm	547-251	0.001mm	12mm	±0.005mm	5 pcs. (10, 20, 30, 30, 100mm)	63.5x16mm	2µm
0 - 200mm	547-252	0.001mm	12mm	±0.005mm	5 pcs. (10, 20, 30, 30, 100mm)	101.6x16mm	2µm

0.01mm graduation 0.001mm graduation

Inch/Metric Digimatic model

Range	Order No.	Resolution	Stroke	Accuracy	Extension rod	Base (WxT)	Flatness
0 - 8" / 0-200mm	547-217S	.0005" / 0.01mm	.5"	±.001"	4 pcs. (.5", 1", 2", 4")	2.5"x.63"	.0002"
0 - 8" / 0-200mm	547-218S	.0005" / 0.01mm	.5"	±.001"	4 pcs. (.5", 1", 2", 4")	4"x.63"	.0002"
0 - 8" / 0-200mm	547-257S	.00005" / 0.001mm	.5"	±.0003"	4 pcs. (.5", 1", 2", 4")	2.5"x.63"	.00008"
0 - 8" / 0-200mm	547-258S	.00005" / 0.001mm	.5"	±.0003"	4 pcs. (.5", 1", 2", 4")	4"x.63"	.00008"

.005"/0.01mm graduation .00005"/0.001mm graduation

Metric Dial Type

Range	Order No.	Graduation	Stroke	Accuracy	Extension rod	Base (WxT)	Flatness
0 - 10mm	7210*	0.01mm	10mm	±0.015mm	—	40x16mm,	5µm
0 - 200mm	7211	0.01mm	10mm	±0.015mm	5 pcs. (10, 20, 30, 30, 100mm)	63.5x16mm	5µm
0 - 200mm	7212	0.01mm	10mm	±0.015mm	5 pcs. (10, 20, 30, 30, 100mm)	101.6x16mm	5µm
0 - 210mm	7213	0.01mm	30mm	±0.03mm	3 pcs. (30, 60, 90mm)	63.5x16mm	5µm
0 - 210mm	7214	0.01mm	30mm	±0.03mm	3 pcs. (30, 60, 90mm)	101.6x16mm	5µm
0 - 200mm	7220	0.01mm	10mm	±0.015mm	5 pcs. (10, 20, 30, 30, 100mm)	100x18mm	5µm
0 - 200mm	7221	0.01mm	10mm	±0.015mm	5 pcs. (10, 20, 30, 30, 100mm)	150x18mm	5µm
0 - 10mm	7222*	0.01mm	10mm	±0.015mm	5 pcs. (10, 20, 30, 30, 100mm)	ø16mm	5µm
0 - 10mm	7223	0.01mm	10mm	±0.015mm	5 pcs. (10, 20, 30, 30, 100mm)	ø25mm	5µm
0 - 10mm	7224	0.01mm	10mm	±0.015mm	5 pcs. (10, 20, 30, 30, 100mm)	ø40mm	5µm
0 - 200mm	7231	0.01mm	5mm	±0.015mm	5 pcs. (10, 20, 30, 30, 100mm)	63.5x16mm	5µm

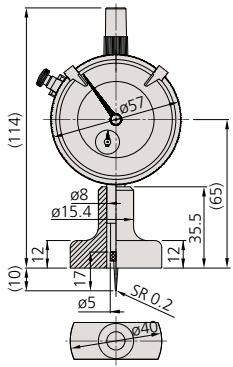
*with needle probe

Inch Dial Type

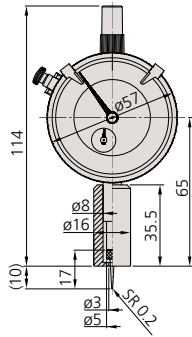
Range	Order No.	Graduation	Stroke	Accuracy	Extension rod	Base (WxT)	Flatness
0 - 8"	7217S	.001"	1"	±.002"	4 pcs. (.5", 1", 2", 4")	2.5"x.63"	.0002"
0 - 8"	7218S	.001"	1"	±.002"	4 pcs. (.5", 1", 2", 4")	4"x.63"	.0002"
0 - 8"	7237T	.001"	.2"	±.002"	4 pcs. (.5", 1", 2", 4")	2.5"x.63"	.0002"
0 - 8"	7238T	.001"	.2"	±.002"	4 pcs. (.5", 1", 2", 4")	4"x.63"	.0002"

DIMENSIONS

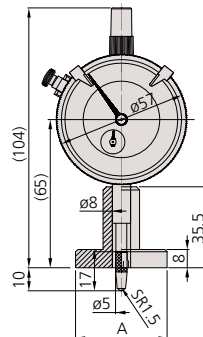
Unit: mm



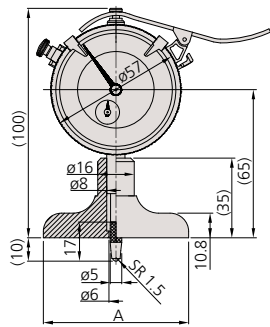
7210



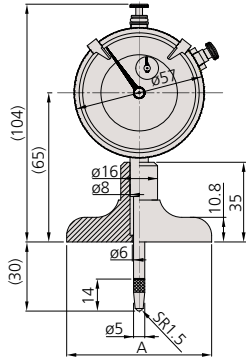
7222



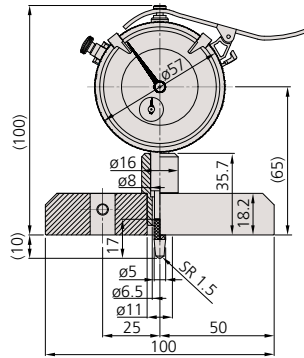
7223 A= \varnothing 25mm
7224 A= \varnothing 40mm



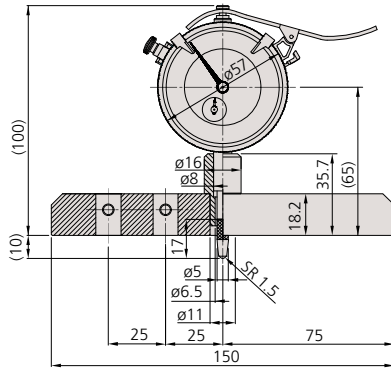
7211 A= 63.5mm
7212 A= 101.6mm



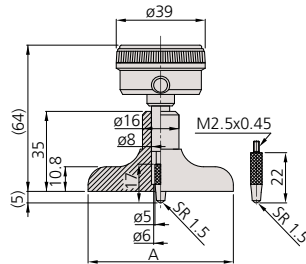
7213, 7217S A= 63.5mm
7214, 7218S A= 101.6mm



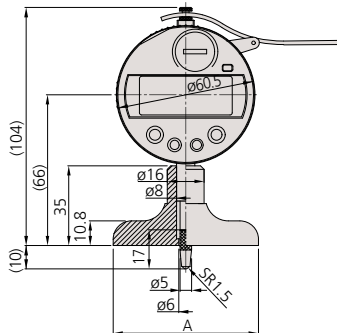
7220



7221



7237T, 7231 A=63.5mm
7238T A=101.6mm



547-211, 547-251, 547-217S, 547-257S A= 63.5mm
547-212, 547-252, 547-218S, 547-258S A= 101.6mm

