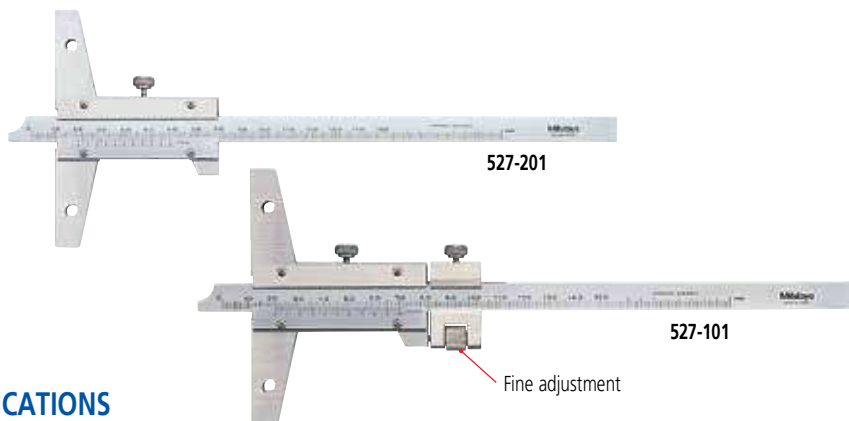


Vernier Depth Gage

SERIES 527

FEATURES

- Made of hardened stainless steel.
- Base and measuring faces are hardened and micro-lapped.
- Optional wider extension base are available. (up to 450mm range models)



SPECIFICATIONS

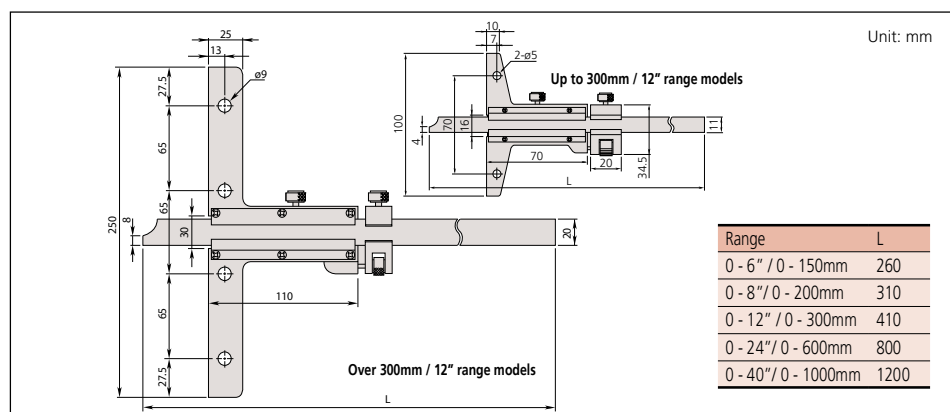
Metric

Range	Order No.	Vernier reading	Accuracy	Mass (g)	Remarks
0 - 150mm	527-201	0.05mm	±0.05mm	240	—
0 - 150mm	527-121	0.02mm	±0.03mm	215	—
0 - 150mm	527-101	0.02mm	±0.03mm	280	with fine adjustment
0 - 200mm	527-202	0.05mm	±0.05mm	260	—
0 - 200mm	527-122	0.02mm	±0.03mm	230	—
0 - 200mm	527-102	0.02mm	±0.03mm	300	with fine adjustment
0 - 300mm	527-203	0.05mm	±0.08mm	300	—
0 - 300mm	527-123	0.02mm	±0.04mm	265	—
0 - 300mm	527-103	0.02mm	±0.04mm	350	with fine adjustment
0 - 600mm	527-204	0.05mm	±0.10mm	1511	—
0 - 600mm	527-104	0.02mm	±0.05mm	1511	with fine adjustment
0 - 1000mm	527-205	0.05mm	±0.15mm	1880	—
0 - 1000mm	527-105	0.02mm	±0.07mm	1880	with fine adjustment

Inch

Range	Order No.	Vernier reading	Accuracy	Mass (g)	Remarks
0 - 6"	527-111	.001"	±.001"	280	with fine adjustment
0 - 8"	527-112	.001"	±.001"	300	with fine adjustment
0 - 12"	527-113	.001"	±.0015"	350	with fine adjustment
0 - 24"	527-114	.001"	±.002"	1511	with fine adjustment
0 - 40"	527-115	.001"	±.003"	1880	with fine adjustment

DIMENSIONS



Range	L
0 - 6" / 0 - 150mm	260
0 - 8" / 0 - 200mm	310
0 - 12" / 0 - 300mm	410
0 - 24" / 0 - 600mm	800
0 - 40" / 0 - 1000mm	1200

Technical Data

Graduation: .001" or 0.05mm, 0.02mm

Optional Accessories

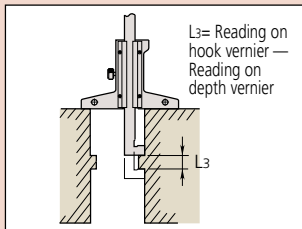
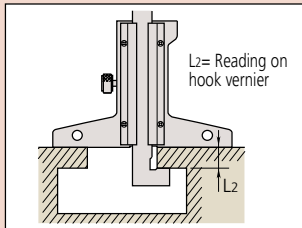
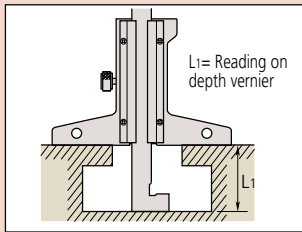
—: Extension base (see page D-56.)

Technical Data

Graduation: 0.05mm or 0.02mm
Base size: 100x6.5mm (WxT)

Optional Accessory

—: Extension base (see page D-56.)



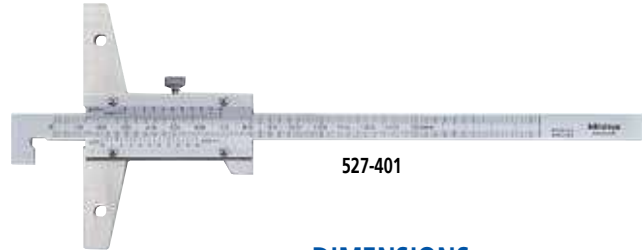
Vernier Depth Gage

SERIES 527 — Hook-End Type

FEATURES

- The end of the main scale is hook-shaped to allow depth and thickness measurements of a projected portion or lip in a hole, in addition to standard depth measurement.

- Fine adjustment models are available.
- Optional wider extension bases are available.



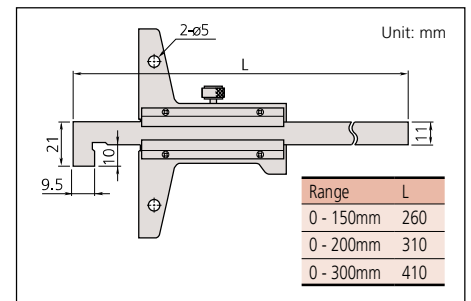
527-401

SPECIFICATIONS

Metric				
Range	Order No.	Vernier reading	Accuracy	Mass (g)
0 - 150mm	527-401	0.05mm	±0.05mm	240
0 - 200mm	527-402	0.05mm	±0.05mm	240
0 - 300mm	527-403	0.05mm	±0.08mm	270

Metric with fine adjustment				
Range	Order No.	Vernier reading	Accuracy	Mass (g)
0 - 150mm	527-411	0.02mm	±0.03mm	280
0 - 200mm	527-412	0.02mm	±0.03mm	300
0 - 300mm	527-413	0.02mm	±0.04mm	350

DIMENSIONS



www.tuv.com
ID: 2011207400



Technical Data

Resolution: .0005"/0.01mm
Repeatability: .0005"/0.01mm
Display: LCD
Length standard: ABSOLUTE electrostatic capacitance (electromagnetic induction)* type linear encoder
Max. response speed: Unlimited
Battery: SR44 (1 pc.), 938882
Battery life: Approx. 20,000 hours (3 years)* under normal use
Dust/Water protection level: IP67

Function

Origin-set, Zero-setting, Automatic power on/off, Data output, inch/mm conversion (on inch/metric models only)
Alarm: Low voltage, Counting value composition error

Optional Accessories

05CZA624: SPC cable with data switch (40" / 1m)

05CZA625: SPC cable with data switch (80" / 2m)

—: Extension base (see page D-56.)

ABSOLUTE Digimatic Depth Gage

SERIES 571 — Hook-End Type

FEATURES

- ABSOLUTE Digimatic Depth Gage can keep track of the origin point, once set, for the life of the battery.

- Base and measuring faces are hardened and micro-lapped.
- Optional wider extension bases are available.
- With SPC data output.



571-264-10

SPECIFICATIONS

Inch/Metric				
Range	Order No.	Resolution	Accuracy	Mass (g)
0 - 6" / 0 - 150mm	571-264-20	.0005" / 0.01mm	±.0015"	578
0 - 8" / 0 - 200mm	571-265-20	.0005" / 0.01mm	±.0015"	598

DIMENSIONS

